

# iCeMS Kitagawa Group Seminar

## Fundamentals of Air-stable Neutral Radicals and Energy Storage Device Application

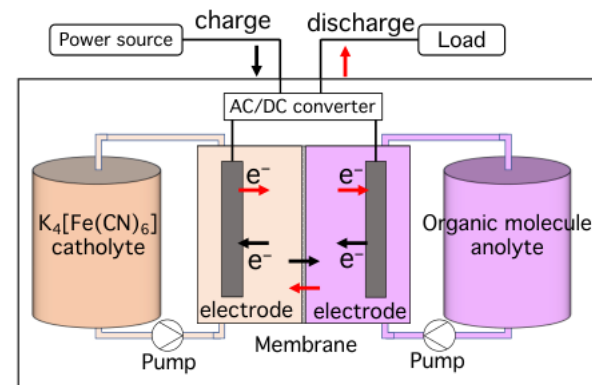


### Prof. Yasushi Morita

Department of Applied Chemistry,  
Faculty of Engineering,  
Aichi Institute of Technology

Lab Website:

[https://aitech.ac.jp/~morita/index\\_eng.html](https://aitech.ac.jp/~morita/index_eng.html)



**ABSTRACT**  
can be found below:



Scan

or [click here](#)

Date: **April 26th, 2024**

Time: 15:00-16:00

Place: iCeMS Main building

2F Smnr Room (A207)